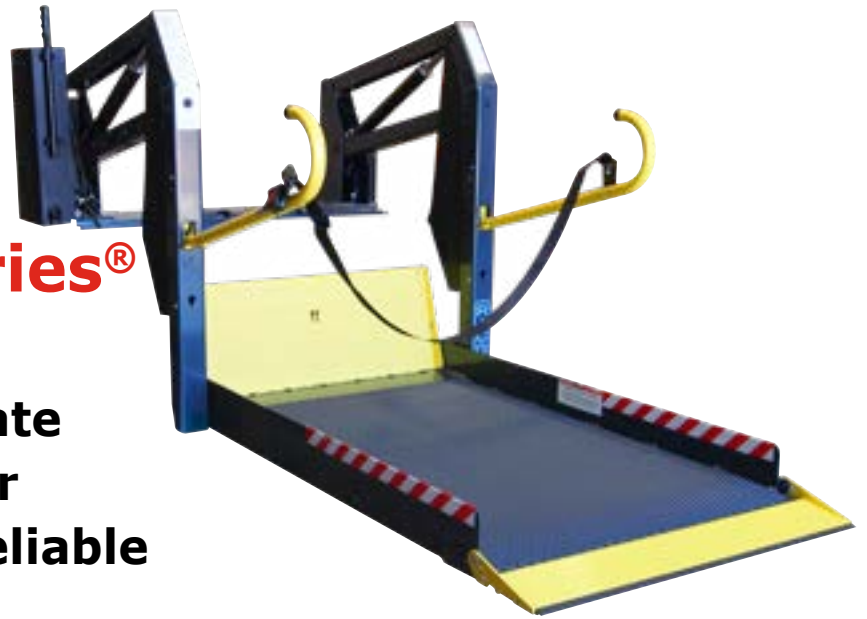


# SOLID PLATFORM

# S | SERIES

## Introducing the Domestic and Commercial S-Series® Wheelchair Lifts

Ricon S-Series lifts elevate the industry standard for excellence in safe and reliable wheelchair lifts



### ELEVATING THE INDUSTRY STANDARD FOR EXCELLENCE

A space-efficient lift for a new class of vehicles. Ricon Solid Platform passenger lifts elevate the industry standard for excellence.

Compact and simple to operate, the S-Series Solid Platform features the security of the industry-leading Ricon Safety Zone.

### PERFORMANCE, RELIABILITY AND VALUE

Ricon S-Series wheelchair lifts formed the catalyst, setting the industry standard for performance, value and ease of use. These innovative design features include:

- Non-intrusive space-saving footprint.
- Lightweight, compact design
- Easy operation and maintenance.
- Durable design for long lift life
- Multiple dimension options providing versatility between customers
- Interlocking passenger safety restraint belt.
- 5 Year Limited Warranty
- ADA Compliant

## ADVANCED RICON LIFT TECHNOLOGY FEATURES RELIABLE PERFORMANCE AND USER-FRIENDLY DESIGN

### Features:

- Industry-leading Ricon Safety Zone: Combines front and rear roll stops and handrails, secures passengers during lift operation.
- Simple and reliable operation provides convenient vehicle access for wheelchairs and scooters.
- Powerful hydraulic pump assures smooth, stable operation.
- Pre-lubricated bearings at all major pivot points for long-term durability.
- All steel construction with high gloss, polyester powder coat finish resists corrosion.
- Standard lifts rated at 350kg.
- ADA regulation compliant.
- Available with Ski Wheels
- 5-year Limited Warranty.



**PENDANT CONTROL** - Standard hand pendant.

**MANUAL BACKUP SYSTEM** – hand pump mechanism provides manual lift operation in case of power loss.

**AUTOMATIC INBOARD ROLL-STOP** – features quiet patented Sto-Loc self-adjusting mechanism with built in fail safe features.

**OUTER ROLL-STOP SWITCH** – limits platform travel if not locked into position.

**TIGHTER MESH NON SKID PLATFORM** – for greater rigidity and improved performance.

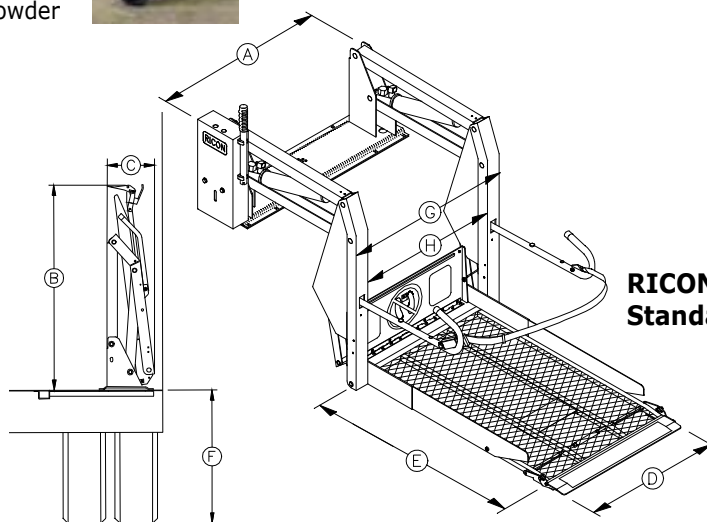
**OCCUPANT RESTRAINT BELT SYSTEM** – Patented fully interlocked Ricon occupant restraint belt system. Combines with dual handrails, inner and outer roll-stop barriers and side rails for industry-leading passenger security.

**SKI WHEELS**- can be provided as an optional extra.

**LIFT WEIGHTS** – between 154-173kg

### S-SERIES™ LIFT: Models S2003-S5010

Power..... electro-hydraulic (power-up/gravity-down)  
 Pump rating@12 VDC ..... 65A avg/cycle, 8,619 kPa  
 Pump rating@24 VDC ..... 32.5A avg/cycle, 8,619 kPa  
 Hydraulic cylinders..... 2ea, 38mm dia  
 Rated load capacity ..... 364 kgs  
 Manual backup (up).....hand pump  
 Manual backup (down)..... pressure release valve  
 Lift weight..... 141–173 kgs



**RICON S-SERIES™  
Standard Platform**

DIMENSIONS – mm	A	B	C	D	E	F	G	H
<b>MODEL</b>	Stationary frame width	Height (folded)	Installation depth (folded)	Usable platform width	Usable platform length	Floor-to-ground travel	Traveling frame width	Clear entry width
<b>S2003-ADA</b>	1143	1397	356	762	1300	1067	953	787
<b>S2005-ADA</b>	1194	1397	356	813	1300	1067	1003	838
<b>S2010-ADA</b>	1245	1454	356	864	1372	1067	1054	889
<b>S5003-ADA</b>	1143	1467	356	762	1300	1219	953	787
<b>S5005-ADA</b>	1194	1467	356	813	1300	1219	1003	838
<b>S5010-ADA</b>	1245	1467	356	864	1372	1219	1054	889

National Importer and Distributor



156 Beringarra Ave, MALAGA WA 6090  
 email: kevrek@kevrek.com.au  
 website: www.kevrek.com.au  
 Ph: (08) 9248 5922 Fax: (08) 9248 5966

Copyright 2010 Ricon Corporation. Ricon, S-Series, K-Series, Klearvue and Sto-Loc are trademarks of Ricon Corporation. Ricon Corp. and Kevrek Australia reserves the right to discontinue models or options at any time or change specifications, materials, equipment, or pricing without notice and without incurring obligation.

